



**REQUEST FOR PROPOSAL  
NETWORK CABLING INSTALLATION – NORTHWEST EXPANSION**

450 W. Paseo Redondo  
Tucson, AZ 85701  
Website: <https://www.elrio.org>  
RFPs: <https://www.elrio.org/about-elrio/rfps/>  
Email: [contracts@elrio.org](mailto:contracts@elrio.org)

Proposals must be received by **December 20, 2024, by 5:00 P.M. (AZ MST)**

Submit proposals to [contracts@elrio.org](mailto:contracts@elrio.org), subject line: El Rio Health Network Cabling  
Installation Northwest Expansion RFP

Questions may be directed to the attention of the El Rio Health Compliance  
Department at [contracts@elrio.org](mailto:contracts@elrio.org).



## **MISSION STATEMENT**

El Rio Health Santa Cruz Neighborhood Health Center Inc.'s ("El Rio Health") mission is to improve the health of our community through comprehensive, accessible, affordable, quality, and compassionate care. El Rio Health's Health Home mission is to provide our patients with integrated comprehensive quality care with the ongoing vision to optimize their overall health and quality of life.

## **ABOUT EL RIO HEALTH**

El Rio Health is dedicated to providing health care for all people. Since El Rio Health began in 1970, we have grown from 10,000 patients to 128,488 patients in 2023, and currently serve 1 in 10 community members for primary, dental, and behavioral health care. We are proud to be one of the most innovative, highly regarded, non-profit health centers in the United States, and we are the nation's 18th largest federally qualified health center (FQHC) by total number of patients served. Annual revenues are approximately \$280 million per year and the organization has more than 1,800 dedicated employees. Our health care is delivered by compassionate, professionally trained, and integrated health teams who give from their hearts to provide world class care. "Your Health is Our Passion."

At El Rio Health, we are committed to health equity. Everyone should have the opportunity to attain their full health potential without being discriminated against or disadvantaged. We strive to provide care that makes all our patients feel safe, heard, and valued. Part of creating health equity is committing to diversity within our health centers, among our patients and our staff. We believe it is critical for our staff, not only to look like but also to understand and empathize with the community we serve.

El Rio Health receives funding from health insurers, patient co-pays, reduced patient fees from those that qualify for our sliding fee scale, government grants and private donations to the El Rio Health Center Foundation. El Rio Health is a 501(c)(3) Non-Profit organization, as well as a Federal Tort Claims Act Deemed Facility. This health center receives Health & Human Services funding and has Federal Public Health Service deemed status with respect to certain health or health-related claims, including medical malpractice claims, for itself and its covered individuals. Additionally, El Rio Health is Joint Commission accredited, has achieved Level 3 patient-centered medical home status from the National Committee for Quality Assurance, and is recognized as a Healthcare Equality Index (HEI) Leader. In 2024, El Rio Health achieved continued Silver status as a Health Center Quality Leader and received the Advancing HIT for Quality, and Addressing Social Risk Factors Awards from the Health Resources and Services Administration (HRSA). In October 2023, we achieved Silver status by the American Medical Association as a Joy in Medicine™ Health System Recognition Program.

El Rio Health provides comprehensive health care services at 14 locations. We offer patients comprehensive health care including Adult/Family/Pediatric/Teen & Young Adult Medicine, Behavioral Health, Medication Assisted Treatment (MAT), Dental Care, OB/GYN, Midwifery, Breastfeeding, and WIC Care, Pharmacy, Lab, Radiology, Specialized HIV/AIDS Care, Exercise, Wellness, and Physical Therapy services.

## **INTENT**

El Rio Health is soliciting offers from qualified IT vendors for the pricing and installation of network cabling and cabling peripherals at the new El Rio Health Center located at 4888 North Stone Avenue, Tucson, Arizona. This RFP shall include the work required to meet the scope of work and any resulting contract.



## BACKGROUND

The Offeror will provide competitive pricing for network cabling at the new El Rio Health Center located at 4888 N Stone Ave, Tucson, AZ 85704. This site is a 91,578 sq foot, two-story, standalone medical building that is being remodeled and will be used as a community health center that will provide services ranging from Dental Care, Primary Care, Pharmacy, Laboratory, Radiology, Sports Medicine, Physical Therapy, and Behavioral Health services. The Offeror will be required to provide installation services and site visits as well as collaborating with the El Rio Health Facilities team, Meridian, BWS Architects and Venn Construction.

## SCHEDULE

**Proposed date of implementation:** 1/6/2025

## SCOPE OF SERVICES

1. Pricing. The Offeror will provide pricing for the specific items listed on the attached equipment list. Substitutions of equal or better performance are allowed. Equal items will be considered, provided the offer clearly describes the item. Offers for equal items will state the brand and model number or level of quality. The determination by El Rio Health as to what items are equal shall be final. The Offeror should be prepared to provide a sample of products equal to products listed in other submissions.
2. "As-built" documentation. "As-built" documentation of the contractor's cable installation shall be presented to El Rio Health upon completion of the project.
  - a) Location of all communications outlets with identifying numbers.
  - b) Location and dimensions of all communications raceways.
  - c) All cross-connect field layouts.
  - d) Documentation of cross-connects installed by the contractor between all distribution blocks.
  - e) All documentation shall be consistent with the labeling throughout the installation.
  - f) Contractor shall provide a total of three (3) copies of "as-built drawings". One (1) copy shall be left on-site and (2) copies shall be sent to Scott Marshall of El Rio Health.
  - g) Contractor shall deliver completed as-built documentation no later than ten (10) days following the completion of work. The job will not be accepted by El Rio Health as complete prior to the possession of the as-built drawings.
    - i. Documentation must be completed prior to the Contractor receiving payment for any completed work. El Rio Health will not conduct final inspection of the site until the as-built documentation has been received.
  - h) Contractor shall submit revisions to El Rio Health, sent to the same parties as the original documentation, as moves, adds, or changes are affected by the Contractor. As-built revisions are to be in the same format as the original documentation and shall be received by El Rio Health no later than fourteen (14) days following the change. The Contractor is obligated to provide revisions, at no additional cost to El Rio Health, for the duration of the Warranty period.
3. Shipping charges. If there are shipping charges and/or installation fees, they must be listed separately in the submission.
4. Delivery. Delivery will be directly to El Rio Health Center, 4888 N. Stone Avenue, Tucson, Az 85704.
5. Installation. Equipment may arrive for installation prior to the completion of the remodel. The Offeror shall be prepared to store the equipment at the Offeror's expense until installation is scheduled. If there is a separate charge for storage and/or delayed delivery, the offeror must include that cost as a line item in the submission.
6. Tax exempt status. El Rio Health is a 501(c)(3) tax exempt organization. Materials are tax exempt, but tax will be paid on labor charges. Tax exemption letters are available upon request.
7. Reservations. El Rio Health reserves the right to:



- a) Award bids received based on individual items, or groups of items, or on the entire list of items
  - b) To reject any or all bids, or any part thereof
  - c) To accept the bid that is in the best interest of El Rio Health
8. Delivery. The Offeror shall make all arrangements for transportation and liability insurance and will be financially responsible for all costs related to these activities. All materials must be delivered to El Rio Health at installation. All items purchased will be due for delivery on the date requested by El Rio Health and in a single delivery. Delivery will be determined by the construction project completion date. The Offeror shall be responsible for delivery of all components and manpower to and from the facility. The cost of delivery shall be included in the Offeror's total bid price.
9. Warranty, Certification, and Maintenance.
- a) Contractor shall warrant all materials, equipment and/or services delivered as a result of this document to be free from defects of material or workmanship and to conform strictly to the specifications.
  - b) This warranty shall survive any inspection, delivery, acceptance, or payment by El Rio Health for a minimum period of five (5) years from the date of System Acceptance.
  - c) Based upon the accepted installation contract and Job Change Orders (JCO) to installation, the Offeror shall furnish all labor and replacement parts and materials provided under warranty at no additional cost to El Rio Health.
  - d) Services performed by the Contractor under warranty must conform to the requirements and work standards outlined within this document.
  - e) Warranty costs shall be included in your total bid price. All unit pricing shall also include warranty costs.
  - f) To the extent possible, the entire installation will be covered by a manufacturer's fifteen (15) year, or better, warranty on material, supplied to El Rio Health prior to any acceptance of the system. El Rio Health recognizes this varies by manufacturer and will accept the manufacturer's warranty offered. Our intent is to ensure quality materials are supplied and to limit future system failures.
  - g) If during the warranty period, El Rio Health discovers that the Offeror has utilized improper materials or improper installation methods for the system, the Offeror shall remedy the situation to the satisfaction of El Rio Health's inspectors, at the Offeror's expense.
  - h) If after the warranty period, and during the life of the system, a flaw in the workmanship is discovered, that flaw will be repaired or replaced at no cost to El Rio Health. Examples of a flaw in workmanship would be the discovery of a jack that was not wired according to El Rio Health's standards, or the discovery of a cable that was not installed in accordance with El Rio Health's standards.
10. General Specifications.
- a) All equipment and materials must be new. Used, re-conditioned, and refurbished equipment and materials are not acceptable.
  - b) All equipment and materials must abide with FCC regulations, be UL approved and stamped, and meet or exceed the current publication of the National Electric Code (as of the issuance date of this procurement document) and local fire and building codes.
  - c) El Rio Health's cable installations are based upon BICSI's Telecommunications Distribution Methods (TDM) Manual and are designed with the intent to meet the Electronic Industries Association's and Telecommunications Industry Association's (EIA/TIA) standards. Contractors shall be thoroughly familiar with BICSI's TDM Manual and EIA/TIA components and standards.
  - d) All components and installation methods shall be EIA/TIA 568A approved and conform to EIA/TIA 569 practices and methods. The Structured Cabling System installed by the Offeror



shall be capable of a minimum of 1000 MBPS network application.

- e) Review of components of documentation of components by an El Rio Health employee does not relieve the Offeror from meeting of exceeding the specifications outlined in this document.
- f) It will be the responsibility of the Offeror for the shipping, handling, and storage of all equipment and materials and to secure and protect it from theft.
- g) Contractor shall furnish and install all equipment, accessories, and materials necessary for a complete, functional Structured Cabling System in accordance with these specifications.
- h) El Rio Health in no way desires to limit competition. Brand names specified are intended to identify a level of quality or a type. Quotations on alternative brands are permitted but should be specifically identified in the quote and must be approved in writing by El Rio Health. Alternate brands must have at least the same features and performance characteristics as items listed in the specifications. Substitutions must be approved and may only be made if it is judged by El Rio Health that the components are equal or better quality than those specified.
- i) Offeror shall assume all responsibility to repair or replace fixtures and materials it damages during its work on the site, including, but not exclusively, ceiling grid and tiles, gypsum boards, etc. Offeror shall be wholly financially responsible for damages realized by El Rio Health as a result of the Offerors' activities.
- j) Upon completion of the work, the Offeror shall reconnect any utilities, equipment, system furniture panels or trim, or appliances removed in the course of work, and replace all furniture, etc., moved for the performance of the work. Debris and rubbish caused by the work shall be removed from the premises. Site will be left in a clean, neat, and orderly fashion.

11. Variations. Any variations to El Rio Health's Structured Cabling System Standards must be submitted to El Rio Health in writing, for approval. Any variations submitted to El Rio Health will be considered on a case-by-case basis and will be approved in writing by El Rio Health.

12. Payment Schedule.

- a) El Rio Health reserves the right to make the payment on the installed System(s) only when acceptance of the System(s) has satisfactorily been accomplished.
- b) **COMPLETION DELAY PENALTY CLAUSE:** If the Offeror fails to deliver, install and cutover system by the completion date agreed upon by the Offeror and El Rio Health, the Offeror will refund to El Rio Health a penalty amount equal to ½ percent of the contract amount, per working day. Project completion date extensions can only be granted in writing by El Rio Health.

## **DETAILED OBJECTIVE AND SOLUTION REQUIREMENTS**

The following section included detailed questions regarding the minimum requirements for this RFP. Please see Attachment A for blueprint specifications.

- 1. Please tell us about the structure of your company. This summary should include financial status / economic conditions of the company, general staffing/number of employees, organizational structure and experience providing IT installation and design services, especially for a FQHC.
- 2. Will you have a Registered Communication Distribution Designer (RCDD) assigned to this job? If so, please provide their name, contact information, and credentials.
- 3. Have you been installing structured cabling systems continuously for at least five (5) years?
- 4. Will you have any BICSI trained and/or registered (or similar) assigned to this project? If so, please provide the name (s), contact information, and credentials.
- 5. Provide references for two (2) similar projects completed in the last three (3) years.
- 6. Offeror will be able to supply the following (see Exhibit A):
  - a) Black overhead ladders with black joining hardware in MDF and IDF, ground ladders and racks. The MDF and IDF will have at least five 19" racks each. Offeror will install busbar in the MDF.



- Offeror will install back 2 post racks and 6" vertical Panduit cable managers. Offeror will install patch panels and terminate cables into patch panels located in racks.
- b) Patch panels: Leviton 1RU 48 port High Density Patch Panel shall be used.
  - c) Wall plates: Standard Leviton white wall plates or Leviton white surface mount boxes shall be used.
  - d) Ethernet cable: Berk-Tek LANmark-1000 copper category 6 UTP.
  - e) MDF to IDF copper cabling: Install 24 Green Ethernet cables and terminate into a patch panel in the rack. Leviton Orange Cat6 keystone jacks shall be used. Please leave at least a 10' service loop in the system to allow for repositioning.
  - f) Data Center to MDF copper cabling: Install 24 Green Ethernet cables and terminate into a patch panel in the rack. Leviton Orange Cat6 keystone jacks shall be used. Please leave at least a 10' service loop in the system to allow repositioning.
  - g) MDF to IDF single mode fiber: 12 strands. Single mode fiber terminates into 1RU Leviton LIU with LC UPC terminations.
  - h) Data Center to MDF single mode fiber: 12 strands. Single mode fiber terminates into 1RU Leviton LIU with LC UPC terminations.
  - i) MDF to Parking Lot Guard Station single mode fiber: 12 strands. Single mode fiber terminates into 1RU Leviton LIU with LC UPC terminations.
  - j) Wireless drops to be terminated in a Leviton 2 port surface mount box.
  - k) Station cabling: station cabling will be BLUE in color and certified up to 1G. WHITE keystone jacks shall be used station side; WHITE keystone jacks shall be used in patch panels. Please leave at least a 10' service loop in the system to allow for cable repositioning.
  - l) Space cabling: Cabling will be BLUE in color and certified up to 1G. WHITE keystone jacks shall be used in patch panels. Please leave a 10' service loop in the system to allow for cable repositioning.
  - m) Keystone jacks: Leviton Cat6 jacks shall be used.
  - n) Building distribution: j-hooks and cable waterfalls shall support the main cable pathways where appropriate, to reduce strain, bend radius on the cabling, and ensure additional cable can be added to the system in the future. Tertiary pathways shall be supported by proper cable supports where needed. The Offeror will supply and install j -hooks, waterfalls, and cable supports as needed.
  - o) Certification: all cables shall be terminated and certified and printed results should be provided at the end of the effort.
  - p) Valcom FXO/FXS Universal Paging Interface -V-9972  
Valcom IP Secure One-way 2x2 Lay-in speaker – VIP402A  
Valcom 45ohm 2x2 Lay-in speaker  
White 2x2 ceiling grid supports  
Valcom 8" round IP speakers – VE4020A white  
Valcom 8" round 45ohm speakers  
Associated hardware and consumables

## **DATES AND TIMEFRAMES**

The following timeline is based on El Rio Health's requirements and represents the activities planned as part of the due diligence process of making an award. El Rio Health reserves the right to change the times and activities as deemed necessary.





<b>RFP Issue Date</b>	November 29, 2024
<b>Submit Written Offeror Questions to</b> <a href="mailto:contracts@elrio.org">contracts@elrio.org</a> . Subject Line: El Rio Health Network Cabling Installation Northwest Expansion RFP	December 6, 2024 @ 5:00pm (MST)
<b>Answers to Submitted Questions</b> will be emailed to all Offerors and posted at <a href="https://elrio.org/about/rfps">https://elrio.org/about/rfps</a>	December 12, 2024 @ 5:00pm (MST)
<b>Proposal Submission Deadline</b> Submit Proposal to via email Subject line: El Rio Health Network Cabling Installation Northwest Expansion RFP	December 20, 2024 @ 5:00pm (MST)  <a href="mailto:contracts@elrio.org">contracts@elrio.org</a>
<b>Proposals Opened</b>	Week of January 6, 2025
<b>Offeror Presentations</b>	To be determined
<b>Issuance of Award</b>	Week of January 6, 2025

**RESPONSE INSTRUCTIONS**

Responses should include only the information requested and no other marketing materials. To ensure that RFP documentation and subsequent information (modifications, clarifications, addendum, written questions & answers, etc.) is directed to the appropriate persons within the financial institution, please provide the following information:

- Name of primary contact
- Mailing address of primary contact
- Telephone number of primary contact(s)
- E-mail address of primary contact
- Additional contact people with same information provided as primary contact(s)

**PROPOSAL REQUIREMENTS**

1. The Offeror agrees to provide their best and final price in the submitted proposal. El Rio Health will only accept the first and final offer; we do not allow secondary proposal/pricing to be presented.
2. The Offeror agrees if they are awarded the request for proposal, that they will deliver the goods/services at the prices set forth in the submitted proposal.
3. The Offeror must submit to background checks and provide information to the Project Director, if requested, prior to any persons being allowed on El Rio Health property.
4. The Offeror will provide a signed and dated copy of the Company IRS W-9 form with the submitted proposal.
5. If requested, the Offeror shall provide three (3) reference clients and three (3) trade references. Reference clients shall be of a similar scope of work as defined herein. Trade references may be banks, equipment suppliers, consumables vendors, staffing agencies, repairs, and maintenance vendors, etc. and shall contain names and phone numbers. References will be checked.
6. The successful Offeror will have attested to following Equal Opportunity Employment Practices:



performing background checks on employees, having proof of right of work status of employees, providing employees training on moving and heavy lifting practices, and having appropriate business licenses and insurance policies. All these documents will be shared with the El Rio Health Project Director and the Compliance and Risk Department.

7. The Offeror must NOT appear on the Office of Inspector General (OIG) list of excluded individuals or entities.
8. The Offeror (including any officers, trustees, partners, or employees) must not have a business interest or a close family or domestic relationship with any El Rio Health official, officer, trustee, or employee who was, is, or will be involved in selection, negotiation, drafting, signing, administration, or evaluating Offeror performance. El Rio Health shall make sole determination as to compliance with its Conflict-of-Interest Policy.
9. Offerors must represent that its Proposal, including all work, materials, equipment, and network services comply with governmental and telecommunications regulatory law, ordinances, and regulations within their respective jurisdictions.
10. Persons with disabilities may request accommodation by contacting [contracts@elrio.org](mailto:contracts@elrio.org). Please make all requests as early as possible to allow time to arrange the accommodation.

#### **CRITERIA FOR SELECTION**

1. All eligible proposals will be reviewed and rated based on the award criteria.
2. El Rio Health may request presentations from a short list of Offerors and/or request additional information.
3. The award of a contract based on this request for proposal represents the best value for and is in El Rio Health Center's best interest.
4. In no event will El Rio Health be limited to selecting a proposal based solely upon total cost submitted.
5. Although critical, price is only one of the determining factors for the award. El Rio Health reserves the right to make an award without further discussion of the proposals submitted. Proposal evaluations are based solely on the information provided.
6. All Offerors will be notified whether they have or have not been:
  - a. selected to provide a presentation
  - b. are the successful Offeror for the request for proposal

#### **OPENING OF PROPOSALS**

1. Proposals will be opened promptly after the deadline to submit proposals. This is not a public opening, and vendors are not invited to attend.
2. Proposals received on time will be opened in the presence of one or more witnesses and the name and address of the Offeror will be recorded.
3. Proposals not received on time will not be opened.

#### **AWARD OF CONTRACT**

1. El Rio Health reserves the right to accept the proposal and award this request for proposal to an Offeror that is in the best interest and provides the best value for El Rio Health.
2. El Rio reserves the right to reject all proposals or any part thereof.
3. El Rio Health reserves the right to enter into contractual negotiations and if necessary; modify any terms and conditions of a final contract with the respondent whose Proposal offers the best value to El Rio Health.





4. The final Agreement (Contract) will be signed by El Rio Health and the successful Offeror and returned within an agreed timeframe after the date of Notice of Award. No Agreement will be effective until it has been fully executed by all parties thereto.
5. El Rio Health would prefer to have an ongoing relationship with the chosen Offeror. The character and operating principles of the successful Offeror are important to El Rio Health. After contractual Award it will be important to continue to work with the RFP Team throughout Implementation of the services.

#### **GENERAL INFORMATION**

1. Any questions must be submitted by 5:00 pm (MST) on November 22, 2024, allowing sufficient time for a reply to reach all Offerors prior to the submission of their proposals. El Rio Health will post answers to all questions to our website at <https://elrio.org/about/rfps/> under the title of this RFP.
2. Answers to any questions submitted prior to the deadline to submit any questions will be posted on the El Rio Health website RFP link to maintain fair and open competition. No response will be given to any questions submitted after 5:00 pm (MST) on November 22, 2024.
3. General marketing and promotional material are neither required nor desired. The responding firms should concisely but completely describe the service they feel is appropriate for El Rio Health.
4. All questions about the meaning or intent of this request for proposal shall be submitted in writing via email to the Compliance Department via the following email address: [contracts@elrio.org](mailto:contracts@elrio.org). A prompt e-mail response may be expected with copies of the Question(s) and Answer forwarded to all Offerors responding to this RFP. Questions received less than five (5) business days prior to the date for opening of proposals may not be answered.
5. Offerors shall submit a Proposal to: [contracts@elrio.org](mailto:contracts@elrio.org)
6. El Rio Health will not be responsible for any costs incurred by an organization in preparing, delivering, or presenting proposals to this RFP. Once submitted, vendor proposals will become property of El Rio Health and will not be returned.
7. El Rio Health cautions Offerors to assure actual delivery and receipt of any mailed proposal prior to the response deadline. El Rio Health will in no way be responsible for delays caused by any occurrence. El Rio Health will not accept or consider proposals submitted via facsimile transmission.
8. Alternate proposals are NOT authorized and will not be considered.

#### **INVITATION IS THE ENTIRE AGREEMENT**

This Request for proposal constitutes the entire agreement between the parties with respect to its subject and will not be modified, altered, or amended in any way except as provided for in this Request.

#### **GENERAL DISCLAIMER**

This RFP process does not commit El Rio Health to award a contract to any respondent. Any response, including written documentation and verbal communication, by any respondent to this RFP, shall become the property of El Rio Health and may be subject to public disclosure.

# EL RIO

---

## HEALTH

### EXHIBIT A PHASING PLAN FLOOR MAPS

Description of cables by Plan Symbol:

▲ Designates at least two terminated cables in a wall plate.

**WAP** Designates a terminated cable coiled in the ceiling for a wireless access point (use same color as station side cabling).

**Spare** Designates a terminated cable coiled in the ceiling for a spare.

Please add an additional 10' service loop at each end (total of 20') so that all cable might be repositioned later.

All cables left coiled shall be clearly tagged within 6" of the termination so it can be identified to the patch panel when it is installed later. (Note: the colors designated in the drawings have no correlation to the actual color of the cable)

ABBREVIATIONS

A	AMPERES
ADA	AMERICANS WITH DISABILITIES ACT (1990)
AFF	ABOVE FINISHED FLOOR
AFG	ABOVE FINISHED GRADE
AIC	AMPERES INTERRUPTING CAPACITY
AMP	AMPACITY
AC	ALTERNATING CURRENT
AWG	AMERICAN WIRE GAUGE
#/C	NUMBER OF CONDUCTORS
C	CONDUIT
EWC	ELECTRIC WATER COOLER
EMC	ELECTRICAL METALLIC TUBING
(E)	EXISTING
FU	FUSE
FMC	FLEXIBLE METAL CONDUIT
GF1	GROUND FAULT INTERRUPTER
GF-CI	GROUND FAULT CIRCUIT INTERRUPTER
G.GND	GROUND
HP	HORSEPOWER
kW	KILOWATTS
kVA	KILOVOLT AMPERES
LFM	LIQUID TIGHT FLEXIBLE METAL CONDUIT
MCB	MAIN CIRCUIT BREAKER
MCP	MOTOR CIRCUIT PROTECTOR
MLO	MAIN LUGS ONLY
M	MOTOR
MCC	MOTOR CONTROL CENTER
MFG	MANUFACTURER
NEC	NATIONAL ELECTRICAL CODE
NEMA	NATIONAL MANUFACTURERS ASSOCIATION
N.NEUI	NEUTRAL
(N)	NEW
PH	PHASE
PR	PAIR
PVC	POLYVINYL CHLORIDE
REM	REMARK
RGS	RIGID GALVANIZED STEEL
SOBC	STRANDED BARE COPPER
SHLD.SH	SHIELDED
SN	SOLID NEUTRAL
SP	SPARE
TYP	TYPICAL
UL	UNDERWRITERS LABORATORIES
UPS	UNINTERRUPTIBLE POWER SOURCE
UON	UNLESS OTHERWISE NOTED
V	VOLTS
W	WATTS
WP	WEATHERPROOF
XFMR	TRANSFORMER

SYMBOLS

CONSTRUCTION PHASE LEGEND

	EXISTING TO BE REMOVED/REPLACED
	EXISTING TO REMAIN
	NEW

WIRING SYMBOLS

	HOMERUN TO PANEL 'LP' INDICATES PANEL DESIGNATION.
	LP-1,3,5 1,3,5 INDICATES CIRCUIT BREAKER NUMBER
	NEW CONDUIT
	UNDERGROUND CONDUIT
	FLEXIBLE CONDUIT
	NUMBER OF SLASHES INDICATE NUMBER OF WIRES (WHEN MORE THAN TWO), PROVIDE GROUND WIRE IN ALL CONDUITS (SIZE GROUND PER NEC 250.122, U.O.N.); GROUNDS ARE NOT SHOWN BY SLASHES, SLASHES WHERE SHOWN ARE FOR CONVENIENCE OF THE CONTRACTOR ONLY, PROVIDE NUMBER OF CONDUCTORS AS REQUIRED BY CIRCUIT FUNCTION.
	NEUT
	HOT

POWER DEVICES ON NORMAL BRANCH

	JUNCTION BOX
	DUPLEX RECEPTACLE OUTLET, NEMA 5-20R, MOUNTED 18" ON CENTER AFF
	DUPLEX RECEPTACLE OUTLET, NEMA 5-20R, ABOVE COUNTER 42" ON CENTER
	GROUND FAULT CIRCUIT INTERRUPTER RECEPTACLE 20 AMPERE FEED THROUGH TYPE
	QUADRAPLEX - TWO DUPLEX RECEPTACLE UNDER A TWO GANG RING, MOUNTED 18" ON CENTER AFF
	SPECIAL PURPOSE RECEPTACLE AS NOTED ON PLANS.
	TOGGLE SWITCH TYPE MANUAL MOTOR STARTER
	EXTERNALLY OPERATED NON-FUSED DISCONNECT SWITCH. SIZE AND PHASE AS INDICATED. 3R INDICATES NEMA 3R TYPE ENCLOSURE, NO NUMBER INDICATES NEMA 1 TYPE ENCLOSURE.
	EXTERNALLY OPERATED FUSED DISCONNECT SWITCH. SIZE, POLES, FUSE SIZE & QUANTITY AS INDICATED. 3R INDICATES NEMA 3R TYPE ENCLOSURE, NO NUMBER INDICATES NEMA 1 TYPE ENCLOSURE.
	COMBINATION MOTOR STARTER FUSED DISCONNECT. SIZE, FUSE SIZE, PHASE AND QUANTITY AS INDICATED ON PLANS.
	M = MOTOR OR G = GENERATOR

POWER DEVICES ON OPTIONAL STANDBY SYSTEM

	DUPLEX RECEPTACLE OUTLET, NEMA 5-20R, MOUNTED 18" AFF
	QUADRAPLEX - TWO DUPLEX RECEPTACLE UNDER A TWO GANG RING, MOUNTED 18" AFF
	SIMPLEX RECEPTACLE

FIRE ALARM SYMBOLS

	SMOKE DETECTOR
	HEAT DETECTOR
	MINI HORN/STROBE
	MANUAL PULL STATION
	HORN/STROBE
	STROBE LIGHT
	TAMPER SWITCH
	FLOW SWITCH
	DOOR HOLDER
	FIRE SUPPRESSION SYSTEM ABORT PUSHBUTTON
	BELL HORN
	CHIME STROBE
	CONTROL MODULE
	MONITOR MODULE
	END OF LINE RESISTOR

LIGHT FIXTURE DESIGNATION

	FIXTURE TYPE DESIGNATION
	SWITCH REFERENCE
	CIRCUIT NUMBER

LIGHT FIXTURES ON NORMAL BRANCH

	WALL MOUNTED LUMINAIRE
	RECESSED OR SURFACE MOUNTED LUMINAIRE
	2' x 2' LUMINAIRE
	1' x 4' LUMINAIRE
	2' x 4' LUMINAIRE
	WALL MOUNTED LUMINAIRE
	STRIP LIGHT LUMINAIRE, SURFACE OR PENDANT

LIGHT FIXTURES W/ BATTERY BACK UP

	WALL MOUNTED LUMINAIRE
	RECESSED OR SURFACE MOUNTED LUMINAIRE
	2' x 2' LUMINAIRE
	1' x 4' LUMINAIRE
	2' x 4' LUMINAIRE
	STRIP LIGHT LUMINAIRE, SURFACE OR PENDANT
	UNIVERSALLY MOUNTED EXIT SIGN WITH ARROWS AND SHADING AS INDICATED
	2-HEAD EMERGENCY BATTERY PACK LIGHT

LIGHT FIXTURES ON INVERTER SYSTEM AND CONNECTED FOR 24 HOUR OPERATION

	RECESSED OR SURFACE MOUNTED LUMINAIRE
	2' x 2' LUMINAIRE
	1' x 4' LUMINAIRE
	2' x 4' LUMINAIRE
	UNIVERSALLY MOUNTED EXIT SIGN WITH ARROWS AND SHADING AS INDICATED
	STRIP LIGHT LUMINAIRE, SURFACE OR PENDANT
	LINEAR LUMINAIRE

LIGHTING CONTROL

	SINGLE POLE SWITCH, 20 AMPERE OR LOW VOLTAGE TYPE. MAX. HEIGHT = 42" TO CENTER LINE UON.
	THREE WAY SWITCH, 20 AMPERE
	DIMMER SWITCH AS INDICATED ON DRAWINGS
	WALL MOUNTED OCCUPANCY SENSOR SWITCH

SPECIAL SYSTEMS DEVICES

	TELEPHONE/DATA SYSTEM OUTLET. FLUSH 4S BOX WITH 2 GANG RING & BLANK COVER AND 3/4" C. STUBBED OUT ABOVE ACCESSIBLE CEILING WITH PLASTIC BUSHING, OR AS NOTED.
	SECURITY CAMERA
	PANIC ALARM
	PANIC ALARMPHONE
	TIME CLOCK
	CEILING MOUNTED MOTION DETECTOR
	CARD READER
	ALARM PANEL

LIGHT FIXTURE SCHEDULE - TI								
TYPE	MANUFACTURER CATALOG NUMBER	DESCRIPTION	VOLTS	LAMP	MOUNTING	FINISH	MAX VA	REMARKS
L1	LITHONIA LIGHTING ZBLT4-48L-ADP-EZ1-LP835-N80	2' x 4' LED VOLUMETRIC FIXTURE	277 V	LED (4800 LUMENS)	GRID	STANDARD	50 VA	nLIGHT ENABLED
L2	LITHONIA LIGHTING ZBLT4-60L-ADP-EZ1-LP835-N80	2' x 4' LED VOLUMETRIC FIXTURE	277 V	LED (6000 LUMENS)	GRID	STANDARD	58 VA	nLIGHT ENABLED
L3	LITHONIA LIGHTING ZBLT2-40L-ADP-EZ1-LP835-N80	2' x 2' LED VOLUMETRIC FIXTURE	277 V	LED (4000 LUMENS)	GRID	STANDARD	43 VA	nLIGHT ENABLED
L4	LITHONIA LIGHTING CLX-48-3000LM-SEF-FDL-MVOLT-GZ10-35K-80CRI-WH-N100	4' STRIP LIGHT	277 V	LED (3000 LUMENS)	SURFACE/PENDANT	STANDARD	26 VA	nLIGHT ENABLED
L5	WAC LIGHTING WS-77636-35-AL	3' LED VANITY FIXTURE	277 V	LED (1720 LUMENS)	WALL ABOVE MIRROR	BRUSHED ALUMINUM	33 VA	
L6	LITHONIA LIGHTING ZBLT4-72L-ADP-EZ1-LP835-N80	2' x 4' LED VOLUMETRIC FIXTURE	277 V	LED (7200 LUMENS)	GRID	STANDARD	72 VA	nLIGHT ENABLED
L7	LITHONIA LIGHTING EPANL-2X4-4800L-80CRI-35K-MIN10-ZT-MVOLT-NLIGHT	2' x 4' LED FLAT PANEL	277 V	LED (4800 LUMENS)	GRID/ SURFACE	STANDARD	45 VA	nLIGHT ENABLED
L8	FLUXWERX LIGHTING VU1-B-B-C-35-A-08-G-D-M	8' LED DIRECT/INDIRECT SUSPENDED LIGHT FIXTURE	277 V	LED (7400 LUMENS)	PENDANT PER ARCH.	CLEAR ANODIZED	88 VA	PROVIDE REMOTE DRIVER ABOVE CEILING. DO NOT EXCEED 80'
L9	FLUXWERX LIGHTING PFF-F-B-C-35-A-04-S-F2-M-00	4' LED DIRECT LINER FIXTURE	277 V	LED (3200 LUMENS)	SURFACE	CLEAR ANODIZED	28 VA	
L10	FLUXWERX LIGHTING PFF-F-B-C-35-A-08-S-F2-M-00	8' LED DIRECT LINER FIXTURE	277 V	LED (7400 LUMENS)	SURFACE	CLEAR ANODIZED	46 VA	
L11	LITHONIA LIGHTING UCEL-48IN-30K-80CRI-SWR-WH	4' LED UNDER CABINET LINEAR SURFACE	277 V	LED	SURFACE	WHITE	20 VA	
L12	LITHONIA LIGHTING EPANL-2X2-4000L-80CRI-35K-MIN10-ZT-MVOLT-NLIGHT	2' x 2' LED FLAT PANEL	277 V	LED (4000 LUMENS)	GRID/ SURFACE	STANDARD	37 VA	nLIGHT ENABLED
R1	LITHONIA LIGHTING LDM4-3520-L04-AR-LSS-MVOLT-EZ10-N80	4' ROUND DOWNLIGHT	277 V	LED (2000 LUMENS)	RECESSED	STANDARD	26 VA	nLIGHT ENABLED
R2	LITHONIA LIGHTING LDM4-3515-L04-AR-LSS-MVOLT-EZ10-N80	4' ROUND DOWNLIGHT	277 V	LED (1500 LUMENS)	RECESSED	STANDARD	22 VA	nLIGHT ENABLED
R3	GOTHAM EVO-35/15-6-DFR-MVOLT-EZ10-NPS80EZ	6" WET LOCATION DOWNLIGHT	277 V	LED (1500 LUMENS)	RECESSED	STANDARD	19 VA	nLIGHT ENABLED
R4	LITHONIA LIGHTING LDM6-3520-L04-AR-LSS-MVOLT-EZ10-N80	6" ROUND DOWNLIGHT	277 V	LED (2000 LUMENS)	RECESSED	STANDARD	26 VA	nLIGHT ENABLED
X	LITHONIA LIGHTING LE-S-R-EL N-SD	LED EXIT SIGN	277 V	LED	WALL/ CEILING	BRUSHED ALUMINUM	5 VA	

- LIGHT FIXTURE GENERAL NOTES:
- FIXTURE SCHEDULE INDICATES DESCRIPTION OF LIGHTING FIXTURES AND MANUFACTURERS CATALOG NUMBERS. IT SHALL BE THE CONTRACTORS RESPONSIBILITY TO DETERMINE THE CORRECT CEILING CONFIGURATION AND PROVIDE THE FIXTURES WITH ALL NECESSARY TRIMS AND MOUNTING HARDWARE SO THAT BOTH THE CEILING SYSTEM AND THE FIXTURE CONSTRUCTION MATCH.
  - IT SHALL BE THE CONTRACTORS RESPONSIBILITY TO VERIFY EXACT LOCATIONS OF ALL LIGHTING FIXTURES AND TYPE OF CEILING WITH THE ARCHITECTURAL REFLECTED CEILING PLAN PRIOR TO ANY WORK. REFER TO ARCHITECTURAL ELEVATION DRAWINGS FOR MOUNTING HEIGHTS OF WALL MOUNTED FIXTURES.
  - PROVIDE NUMBER OF FIXTURES AS INDICATED ON PLANS. PROVIDE ALL FITTINGS AND ACCESSORIES REQUIRED FOR A COMPLETE SYSTEM.
  - PROVIDE 90 MINUTE, 1100 LUMEN BATTERY BACKUP WHERE INDICATED ON DRAWINGS.

nLIGHT SYSTEM SYMBOLS LEGEND

	nLIGHT, nCM-PDT-10-RJB CEILING MOUNT SENSOR: MICROPHONIC-DUAL TECHNOLOGY. 12 TO 24 DC/VAC. DEVICE SHALL CONTROL LIGHTING WITH-IN THE SPACE (U.O.N.). "a,b,c" INDICATES LIGHTING ZONE(S) CONTROLLED WITHIN THE SPACE (U.O.N.).
	nLIGHT ENABLE nWV-PDT-KIT WIDE VIEW SENSOR: MICROPHONIC-DUAL TECHNOLOGY (PDT). 12 TO 24 DC/VAC. USE OPTION WY-BR FOR CEILING MOUNT. DEVICE SHALL CONTROL LIGHTING WITH-IN THE SPACE (U.O.N.). "a,b,c" INDICATES LIGHTING ZONE(S) CONTROLLED WITHIN THE SPACE (U.O.N.).
	nLIGHT, nWSX-PDT-LV DUAL TECHNOLOGY WALL SENSOR: RAISE/LOWER DIM CONTROL. 12 TO 24 VDC/VAC. SENSOR SHALL BE SET MANUAL 'ON', AUTO 'OFF'. DEVICE SHALL CONTROL LIGHTING WITH-IN THE SPACE (U.O.N.).
	nLIGHT, nWSX-LV PASSIVE INFRARED WALL SENSOR: 12 TO 24 VDC/VAC. SENSOR SHALL BE SET MANUAL 'ON', AUTO 'OFF'. DEVICE SHALL CONTROL LIGHTING WITH-IN THE SPACE (U.O.N.).
	nLIGHT LOW VOLTAGE PUSH-BUTTON WALL POD, RAISE/LOWER DIMMING "nPDM-DX". DEVICE SHALL CONTROL LIGHTING WITH-IN THE SPACE (U.O.N.).
	nLIGHT LOW VOLTAGE PUSH-BUTTON WALL POD, TWO POLE, RAISE/LOWER DIMMING "nPDM-2P-DX". "a,b" INDICATES LIGHTING ZONE(S) CONTROLLED WITH-IN THE SPACE (U.O.N.).
	nLIGHT LOW VOLTAGE PUSH-BUTTON WALL POD, FOUR POLE, RAISE/LOWER DIMMING "nPDM-4P-DX". "a,b,c..." INDICATES LIGHTING ZONE(S) CONTROLLED WITH-IN THE SPACE (U.O.N.).
	nLIGHT LOW VOLTAGE PUSH-BUTTON WALL POD, SINGLE POLE, NON-DIMMING "nPDM". DEVICE SHALL CONTROL LIGHTING WITH-IN THE SPACE (U.O.N.).
	nLIGHT POWER/RELAY PACK "nPP16-EFP" 120/277 VAC
	nLIGHT POWER/RELAY PACK "nPP16D-EFP" 120/277 VAC WITH 0-10 VDC DIMMING.
	nLIGHT, nCM-ADCX-RIB SERIES, CEILING MOUNT PHOTOCELL SENSOR WITH AUTOMATIC DIMMING CONTROL. 12 TO 24 VDC/VAC. THE PHOTOCELL MODE SHALL BE SET TO THE AUTOMATIC SET-POINT CALIBRATION MODE. "w" INDICATES LIGHTING ZONE CONTROLLED.

- nLIGHT SYSTEM NOTES:
- COORDINATE WITH nLIGHT FOR EXACT MATERIAL AND INSTALLATION REQUIREMENTS PRIOR TO ORDERING/INSTALLATION.
  - FOR NON-nLIGHT ENABLED FIXTURES, PROVIDE PROPER DEVICE INTERFACE. COORDINATE WITH MANUFACTURER FOR REQUIREMENTS.
  - ALL CABLING SHALL BE ROUTED IN FREE AIR ABOVE ACCESSIBLE CEILING SPACE. CABLE SHALL BE ROUTED VIA J-HOOKS, BOXES, SIZED PER MANUFACTURERS RECOMMENDATIONS SHALL BE PROVIDED FOR ALL WALL DEVICES WITH 1" CONDUIT 6" TO ABOVE ACCESSIBLE CEILING SPACE.
  - ALL CABLING SHALL BE PLENUM RATED.
  - PROVIDE ADDITIONAL J-BOXES WHERE REQUIRED BY MANUFACTURER.
  - PROVIDE SHOP DRAWING FRO nLIGHT SYSTEM.
  - "a,b,A,B" INDICATES LIGHTING ZONE(S) CONTROLLED WITH-IN THE SPACE.

**bws ARCHITECTS**  
 881 North Court Avenue  
 Tucson, Arizona 85701  
 520.795.2705  
 www.bwsarch.com

**ELECTRICAL MECHANICAL STRUCTURAL**  
 700A Tucson  
 2901 W. Salsburg Road  
 Tucson, AZ 85704  
 Phone: 520.280.1488

**MECHANICAL ELECTRICAL STRUCTURAL**  
 6422 E. Speedway Blvd #130  
 Tucson, AZ 85710  
 Phone: 520.240.2612

**LANDSCAPE ARCHITECTURE**  
 The Design Center  
 2 E. Congress Street #600  
 Tucson, AZ 85701  
 Phone: 520.623.6146

**CIVIL CONSULTANTS**  
 Kier & Wright Civil Engineers & Surveyors, Inc.  
 2850 Collier Canyon Road  
 Livermore, CA 94551  
 Phone: 925.245.9788

**EI Rio Health Stone Clinic**  
**TENANT IMPROVEMENTS**  
 4888 N Stone Ave, Tucson, AZ 85704



**DRAWN BY:** Author  
**JOB NO:** 2408.200  
**DATE:** 10/04/2024  
**REVISIONS**

**m3** ARCHITECTURE  
 ENGINEERING  
 CONSTRUCTION MANAGEMENT

**NOTES, ABBREVIATIONS, & SYMBOLS**  
**EE101**  
 CONSTRUCTION DOCUMENTS

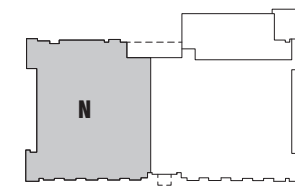
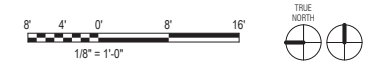
- A. COORDINATE LOCATION OF ALL DATA OUTLET LOCATION(S) WITH ARCHITECT PRIOR TO ROUGH-IN.
- B. FOR ALL NEW UNDERGROUND CONDUITS, PROVIDE SAW CUTTING AS REQUIRED AND PATCH TO MATCH (E). COORDINATE ROUTING WITH ARCHITECT PRIOR TO ROUGH-IN.
- C. PROVIDE PLASTIC BUSHING TO ALL EMPTY CONDUITS.

KEYNOTES

- 1. DEVICE(S) MOUNTED IN MILLWORK. COORDINATE EXACT MOUNTING LOCATION WITH MILLWORK PROVIDER PRIOR TO ROUGH-IN.
- 2. RECEPTACLE FOR CONNECTION OF DISPLAY/MONITOR. COORDINATE EXACT MOUNTING LOCATION WITH ARCHITECT PRIOR TO ROUGH-IN.



1 NEW SPECIAL SYSTEMS PLAN - FIRST FLOOR NORTH  
1/8" = 1'-0"



KEY PLAN

**bws ARCHITECTS**  
381 North Court Avenue  
Tucson, Arizona 85701  
520.795.2705  
www.bwsarch.com

**ELECTRICAL**  
M&E Consulting  
2901 W Sunset Road  
Tucson, AZ 85704  
Phone: 520.233.1488

**MECHANICAL**  
ZONA Engineering  
6422 E Speedway Blvd #130  
Tucson, AZ 85710  
Phone: 520.200.2612

**STRUCTURAL**  
Schubert & Associates  
Structural Engineers, Inc.  
435 E. 9th Street  
Tucson, AZ 85705  
Phone: 520.517.8183

**LANDSCAPE**  
The Planning Center  
2 E. Congress Street #400  
Tucson, AZ 85701  
Phone: 520.623.6146

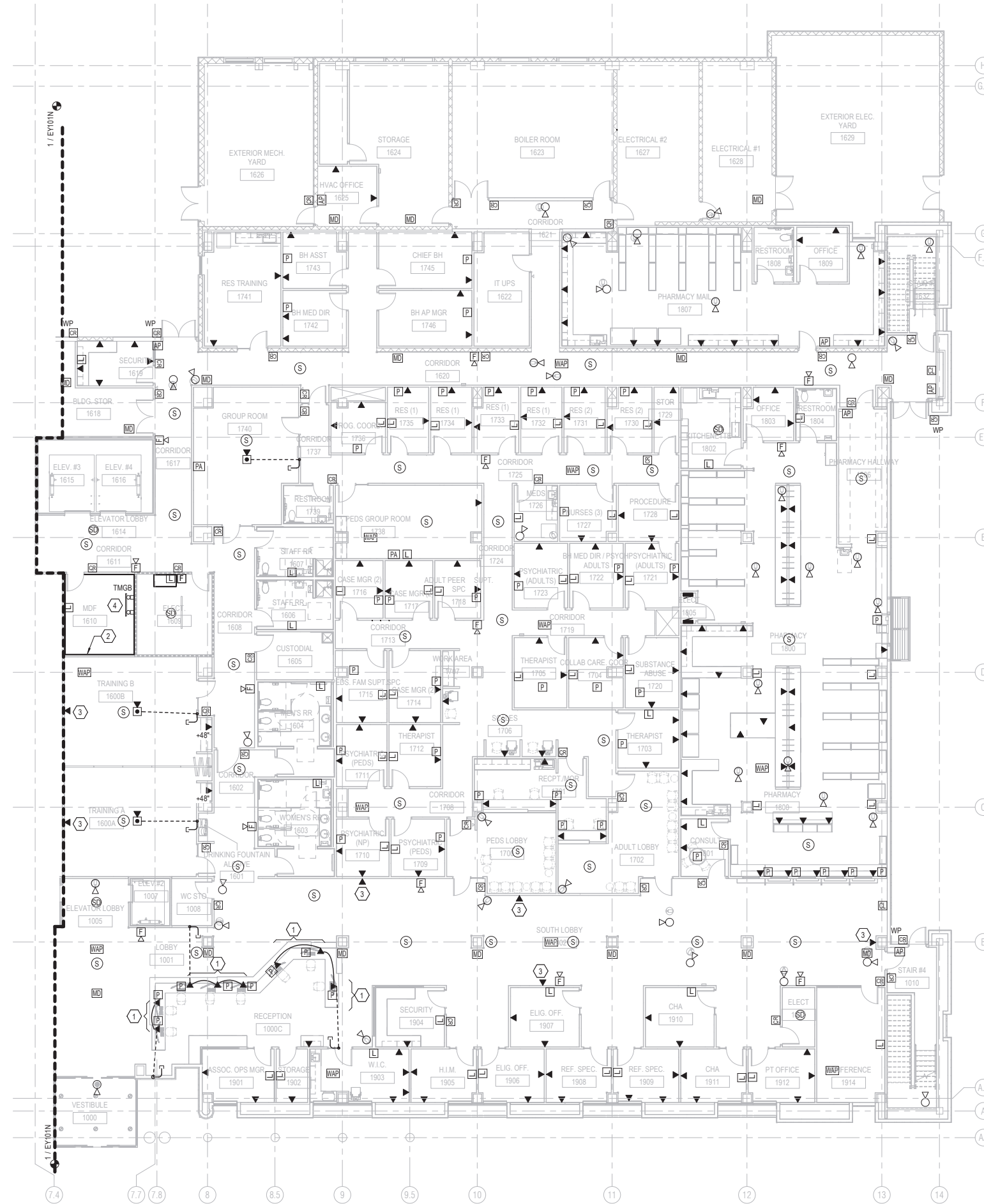
**CIVIL**  
Kier & Wright Civil Engineers & Surveyors, Inc.  
2850 Collier Canyon Road  
Livermore, CA 94551  
Phone: 925.245.8788

**El Rio Health Stone Clinic**  
**TENANT IMPROVEMENTS**  
4888 N Stone Ave, Tucson, AZ 85704

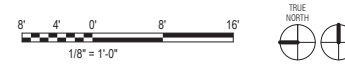


**DRAWN BY:** Author  
**JOB NO:** 2408.200  
**DATE:** 10/04/2024  
**REVISIONS**

**NEW SPECIAL SYSTEMS**  
**PLAN - FIRST FLOOR NORTH**  
**EY101N**  
CONSTRUCTION DOCUMENTS



1 NEW SPECIAL SYSTEMS PLAN - FIRST FLOOR SOUTH  
1/8" = 1'-0"

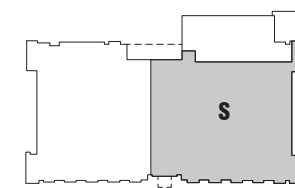


GENERAL NOTES

- A. COORDINATE LOCATION OF ALL DATA OUTLET LOCATION(S) WITH ARCHITECT PRIOR TO ROUGH-IN.
- B. FOR ALL NEW UNDERGROUND CONDUITS, PROVIDE SAW CUTTING AS REQUIRED AND PATCH TO MATCH (E). COORDINATE ROUTING WITH ARCHITECT PRIOR TO ROUGH-IN.
- C. PROVIDE PLASTIC BUSHING TO ALL EMPTY CONDUITS.

KEYNOTES

- 1 DEVICE(S) MOUNTED IN MILLWORK. COORDINATE EXACT MOUNTING LOCATION WITH MILLWORK PROVIDER PRIOR TO ROUGH-IN.
- 2 8' H x 3/4" D x LENGTH AS REQUIRED PLYWOOD BACKBOARD PAINTED ON ALL SIDES WITH (2) COATS OF FIRE RETARDANT PAINT.
- 3 DEVICE FOR CONNECTION OF DISPLAY/MONITOR. COORDINATE EXACT MOUNTING LOCATION WITH ARCHITECT PRIOR TO ROUGH-IN.
- 4 TELECOMMUNICATIONS MAIN GROUND BUS BAR (TMGB). SEE DETAIL #1, SHEET 'EY701' FOR ADDITIONAL INFORMATION.



KEY PLAN

**bws ARCHITECTS**  
381 North Court Avenue  
Tucson, Arizona 85701  
520.795.2705  
www.bwsarch.com

**ELECTRICAL**  
M&E Consulting  
2901 W Sunset Road  
Tucson, AZ 85704  
Phone: 520.200.1488

**MECHANICAL**  
ZONA Technical  
6422 E Speedway Blvd #130  
Tucson, AZ 85704  
Phone: 520.200.2612

**STRUCTURAL**  
Schubert & Associates  
Structural Engineers, Inc.  
435 E. 9th Street  
Tucson, AZ 85705  
Phone: 520.512.8183

**LANDSCAPE**  
The Planning Center  
21 E. Congress Street #400  
Tucson, AZ 85701  
Phone: 520.623.6146

**CIVIL**  
Kier - Wright Civil Engineers &  
Surveyors, Inc.  
2850 Collier Canyon Road  
Livermore, CA 94551  
Phone: 925.245.9789

**El Rio Health Stone Clinic**  
**TENANT IMPROVEMENTS**  
4888 N Stone Ave, Tucson, AZ 85704

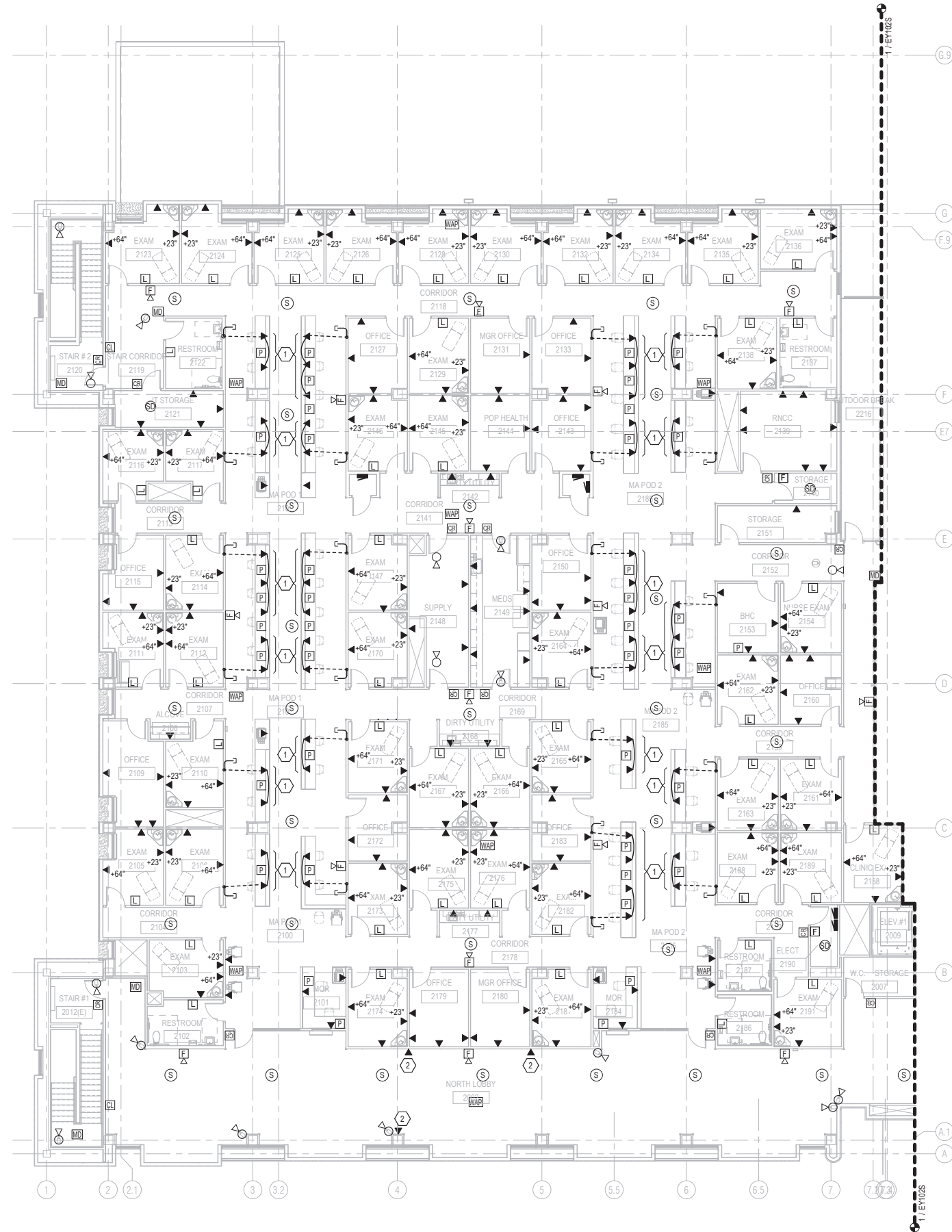


DRAWN BY: Author  
JOB NO: 2408.200  
DATE: 10/04/2024  
REVISIONS

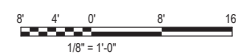
**NEW SPECIAL SYSTEMS**  
**PLAN - FIRST FLOOR SOUTH**  
**EY101S**  
CONSTRUCTION DOCUMENTS

10/04/2024 10:14:23 AM





1 NEW SPECIAL SYSTEMS PLAN - SECOND FLOOR NORTH  
1/8" = 1'-0"

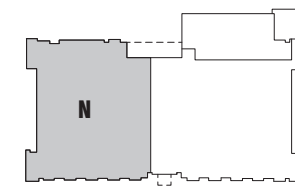


GENERAL NOTES

- A. COORDINATE LOCATION OF ALL DATA OUTLET LOCATION(S) WITH ARCHITECT PRIOR TO ROUGH-IN.
- B. FOR ALL NEW UNDERGROUND CONDUITS, PROVIDE SAW CUTTING AS REQUIRED AND PATCH TO MATCH (E). COORDINATE ROUTING WITH ARCHITECT PRIOR TO ROUGH-IN.
- C. PROVIDE PLASTIC BUSHING TO ALL EMPTY CONDUITS.

KEYNOTES

- 1 DEVICE(S) MOUNTED IN MILLWORK. COORDINATE EXACT MOUNTING LOCATION WITH MILLWORK PROVIDER PRIOR TO ROUGH-IN.
- 2 RECEPTACLE FOR CONNECTION OF DISPLAY/MONITOR. COORDINATE EXACT MOUNTING LOCATION WITH ARCHITECT PRIOR TO ROUGH-IN.



KEY PLAN

**bws ARCHITECTS**  
381 North Court Avenue  
Tucson, Arizona 85701  
520.795.2705  
www.bwsarch.com

**ELECTRICAL**  
M&E Consulting  
2901 W Sunset Road  
Tucson, AZ 85704  
Phone: 520.283.1488

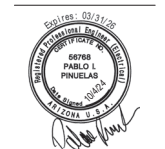
**MECHANICAL**  
ZONA Technical  
6422 E Speedway Blvd #130  
Tucson, AZ 85704  
Phone: 520.240.2612

**STRUCTURAL**  
Schubert & Associates  
Structural Engineers, Inc.  
435 E. 9th Street  
Tucson, AZ 85705  
Phone: 520.517.8183

**LANDSCAPE**  
The Planning Center  
21 E. Congress Street #600  
Tucson, AZ 85701  
Phone: 520.623.6146

**CIVIL**  
Kier & Wright Civil Engineers &  
Surveyors, Inc.  
2850 Collier Canyon Road  
Livermore, CA 94551  
Phone: 925.245.8788

**EL Rio Health  
Stone Clinic  
TENANT IMPROVEMENTS**  
4888 N Stone Ave, Tucson, AZ 85704

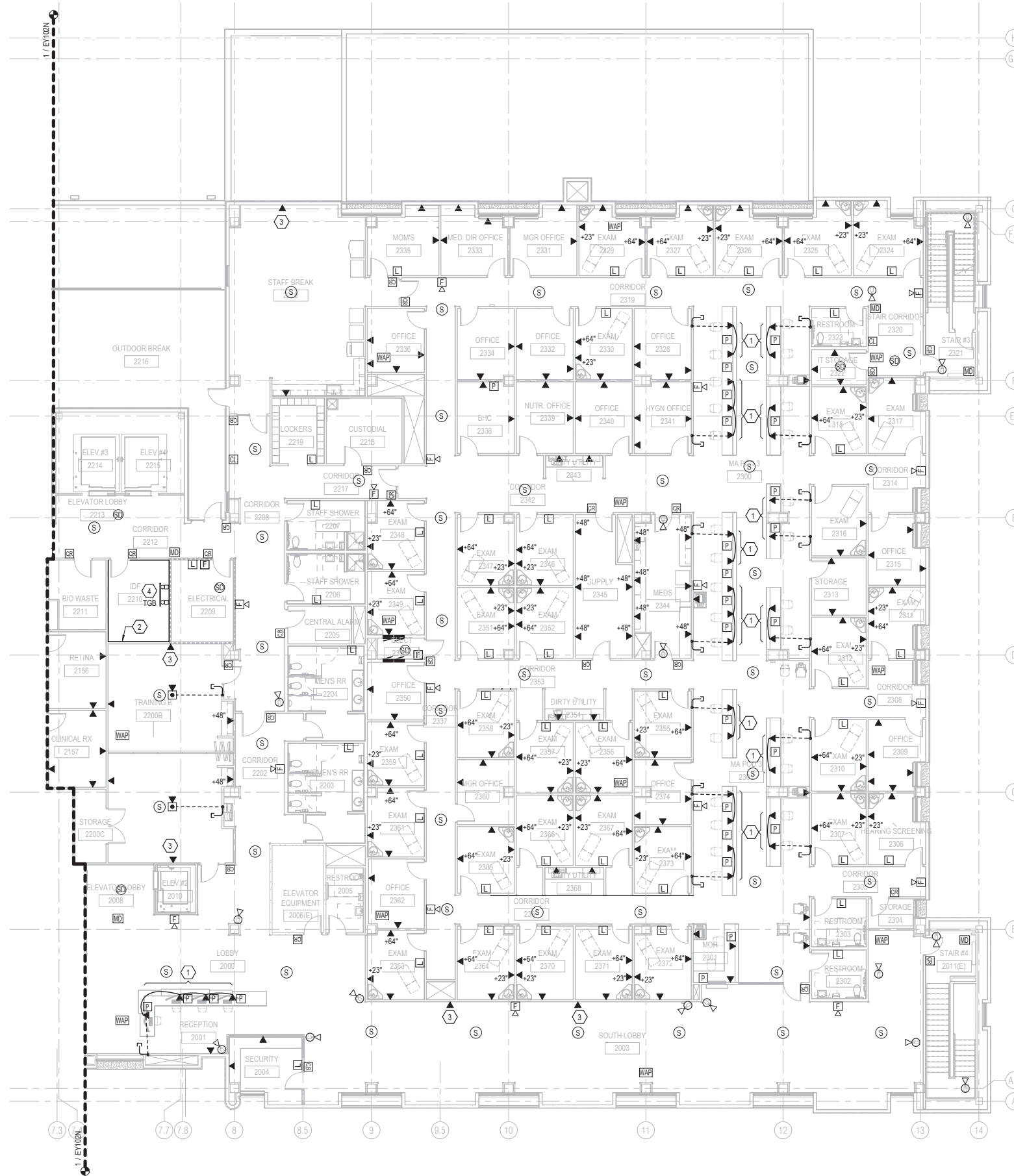


DRAWN BY: Author  
JOB NO: 2408.200  
DATE: 10/04/2024  
REVISIONS

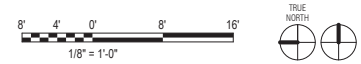


NEW SPECIAL SYSTEMS  
PLAN - SECOND FLOOR  
NORTH  
**EY102N**  
CONSTRUCTION DOCUMENTS





1 NEW SPECIAL SYSTEMS PLAN - SECOND FLOOR SOUTH  
1/8" = 1'-0"



GENERAL NOTES

- A. COORDINATE LOCATION OF ALL DATA OUTLET LOCATION(S) WITH ARCHITECT PRIOR TO ROUGH-IN.
- B. FOR ALL NEW UNDERGROUND CONDUITS, PROVIDE SAW CUTTING AS REQUIRED AND PATCH TO MATCH (E). COORDINATE ROUTING WITH ARCHITECT PRIOR TO ROUGH-IN.
- C. PROVIDE PLASTIC BUSHING TO ALL EMPTY CONDUITS.

KEYNOTES

- 1. DEVICE(S) MOUNTED IN MILLWORK. COORDINATE EXACT MOUNTING LOCATION WITH MILLWORK PROVIDER PRIOR TO ROUGH-IN.
- 2. 8' H x 3/4" D x LENGTH AS REQUIRED PLYWOOD BACKBOARD PAINTED ON ALL SIDES WITH (2) COATS OF FIRE RETARDANT PAINT.
- 3. RECEPTACLE FOR CONNECTION OF DISPLAY/MONITOR. COORDINATE EXACT MOUNTING LOCATION WITH ARCHITECT PRIOR TO ROUGH-IN.
- 4. TELECOMMUNICATIONS GROUND BUS BAR (TGB). SEE DETAIL #2, SHEET 'EY701' FOR ADDITIONAL INFORMATION.

**bws ARCHITECTS**  
 381 North Court Avenue  
 Tucson, Arizona 85701  
 520.795.2705  
 www.bwsarch.com

**ELECTRICAL**  
 M&S Engineering  
 2901 W. Sunset Road  
 Tucson, AZ 85704  
 Phone: 520.203.1488

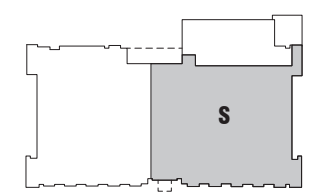
**MECHANICAL**  
 ZONA Mechanical  
 6422 E. Speedway Blvd #130  
 Tucson, AZ 85710  
 Phone: 520.200.2612

**STRUCTURAL**  
 Schmitt & Associates  
 Structural Engineers, Inc.  
 435 E. 9th Street  
 Tucson, AZ 85705  
 Phone: 520.512.8183

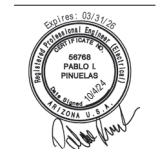
**LANDSCAPE**  
 The Program Center  
 21 E. Congress Street #400  
 Tucson, AZ 85701  
 Phone: 520.623.6146

**CIVIL**  
 Kier & Wright Civil Engineers &  
 Surveyors, Inc.  
 2850 Collier Canyon Road  
 Livermore, CA 94551  
 Phone: 925.245.9788

**El Rio Health Stone Clinic**  
**TENANT IMPROVEMENTS**  
 4888 N Stone Ave, Tucson, AZ 85704



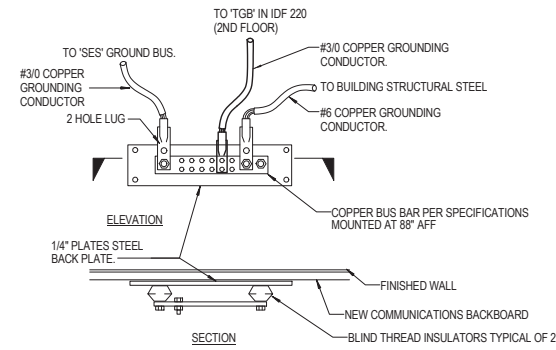
KEY PLAN



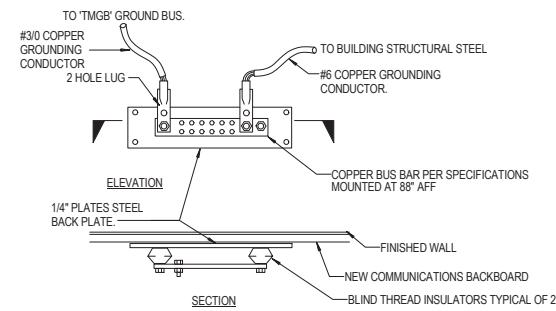
DRAWN BY: Author  
 JOB NO: 2408.200  
 DATE: 10/04/2024  
 REVISIONS



**NEW SPECIAL SYSTEMS**  
**PLAN - SECOND FLOOR SOUTH**  
**EY102S**  
 CONSTRUCTION DOCUMENTS



1 TELECOM MAIN GROUND BUS BAR (TMGB)  
SCALE: N.T.S.

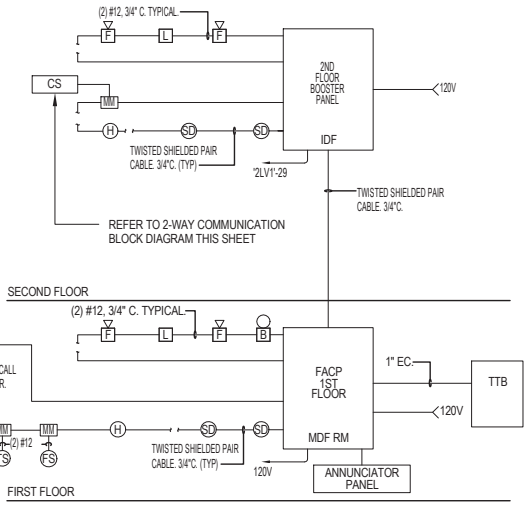


2 TELECOM GROUND BUS BAR (TGB)  
SCALE: N.T.S.

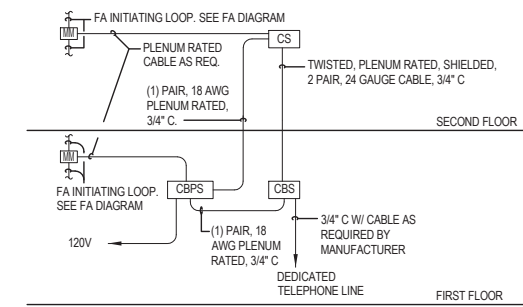
- NOTES:
- CONTRACTOR SHALL PROVIDE BOOSTER POWER SUPPLIES AS REQUIRED BY MANUFACTURER. COORDINATE LOCATIONS WITH OWNER. PROVIDE SMOKE DETECTOR WITHIN 2' OF EACH BOOSTER POWER SUPPLY.
  - SEE SYSTEMS PLANS FOR LOCATIONS AND NUMBER OF DEVICES.
  - ALL WORK SHALL BE IN ACCORDANCE WITH THE 2018 IFC, 2018 IBC, NFPA 72 AND CITY OF TUCSON AMENDMENTS.
  - SEE ELECTRICAL DRAWINGS FOR LOCATIONS OF THE SHUNT TRIP FUSED DISCONNECT AND ELEVATOR CONTROLLER.
  - SEE PLUMBING DRAWINGS FOR QUANTITY AND LOCATIONS OF FLOW AND TAMPER SWITCHES.
  - ALL FIRE ALARM WIRING SHALL BE PULLED SPLICE FREE. THE USE OF WIRE NUTS IS PROHIBITED.
  - ALL DEVICES SHALL BE ADA COMPLIANT AND SHALL BE INSTALLED/MOUNTED IN ACCORDANCE WITH ADA REQUIREMENTS.
  - PROVIDE 6" SEPARATION BETWEEN SUPPLY AND RETURN LOOPS. (TYP FOR ALL INITIATION LOOPS).

ELEVATOR RECALL CONTROL PROGRAMMING SCHEDULE	
CONDITION DESCRIPTION	ACTION
SMOKE DETECTED AT ELEVATOR 2ND FLOOR LOBBY AND HOISTWAY.	CAPTURE ELEVATOR AND RECALL TO 1ST FLOOR.
SMOKE DETECTED AT ELEVATOR 1ST FLOOR LOBBY, MACHINE ROOM.	CAPTURE ELEVATOR AND RECALL TO LOWEST FLOOR WITHOUT SMOKE DETECTED.
HEAT DETECTED IN MACHINE ROOM OR HOISTWAY.	ACTIVATE ELEVATOR POWER SHUNT TRIP.

PROGRAMMING SCHEDULE SHOWN SHALL BE COORDINATED WITH THE CITY OF TUCSON FIRE MARSHALL. THE SEQUENCE OF OPERATION SHALL BE ADJUSTED AS REQUIRED BY THE CITY OF TUCSON FIRE MARSHALL. PROVIDE ALL NECESSARY ADDITIONAL MATERIALS AND LABOR AS REQUIRED.



3 FIRE ALARM RISER DIAGRAM  
SCALE: N.T.S.



4 TWO-WAY COMMUNICATION SYSTEM BLOCK DIAGRAM  
SCALE: N.T.S.

TWO-WAY COMMUNICATION NOTES:

- COORDINATE WITH RATH COMMUNICATION SYSTEMS FOR EXACT MATERIAL AND INSTALLATION REQUIREMENTS PRIOR TO ORDERING/INSTALLATION.
- ALL CABLING SHALL BE ROUTED IN CONDUIT.
- PROVIDE SHOP DRAWING FOR REVIEW AND APPROVAL PRIOR TO ORDERING AND INSTALLATION.
- THE SYSTEM SHALL BE PROVIDED WITH A BUILT-IN BATTERY BACK UP THAT ALLOWS FOR A MINIMUM OF 4 HOURS TALK TIME UPON LOSS OF POWER.
- AN IP INTERFACE SHALL BE PROVIDED.
- LOCATION OF BASE STATION AND CALL BOX SHALL BE COORDINATED WITH THE AHJ AND APPROVED BY THE FIRE MARSHALL PRIOR TO INSTALLATION.
- THE SYSTEM SHALL "DIAL/CONNECT" DIRECTLY TO THE 911 OPERATOR.
- INSTALLATION AND SIGNAGE SHALL BE IN ACCORDANCE WITH 2018 IBC SECTION 1007.8.1, AND NFPA 72 24.10.

CONSULTANTS



DRAWN BY: Author  
JOB NO: 2408.200  
DATE: 10/04/2024  
REVISIONS



**SIGNATURE OF AUTHORIZED REPRESENTATIVE**

Company Name: \_\_\_\_\_

Address: \_\_\_\_\_

City, State, Zip: \_\_\_\_\_

Telephone Number: \_\_\_\_\_

Fax Number: \_\_\_\_\_

Arizona Tax ID: \_\_\_\_\_

Federal Tax ID: \_\_\_\_\_

Applicable Arizona License Number(s): \_\_\_\_\_

Contact Person for Clarification  
of Proposal Response: \_\_\_\_\_

Name & Title of Individual

Authorized to Sign for Firm: \_\_\_\_\_

Email Address: \_\_\_\_\_

(A completed copy of this page must be included with the proposal)